

RXG24 黄金铝壳电阻



Aluminum shell has good heat dissipation performance, weather resistance, vibration resistance, easy tight installation and easy attachment of radiator. It is suitable for high requirements and harsh environment.

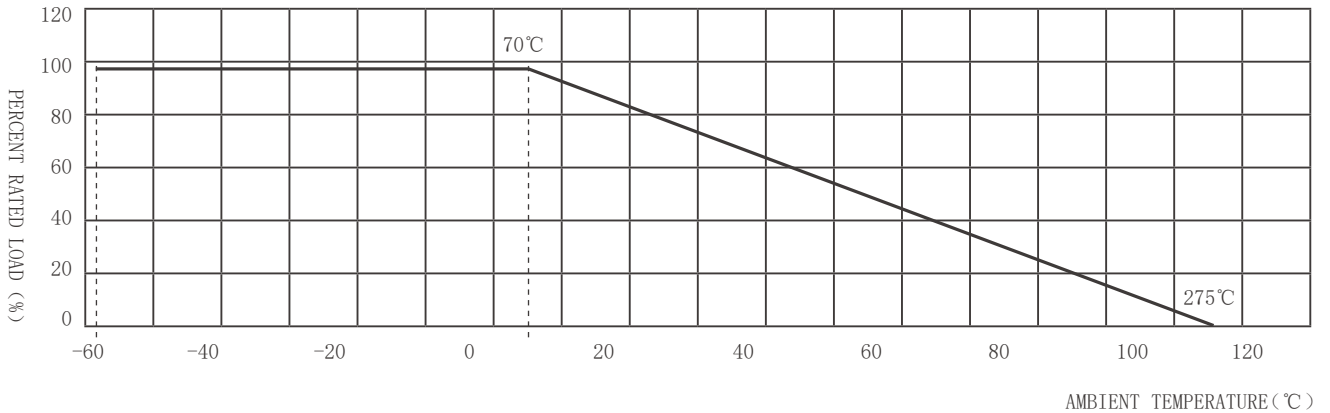
Specification

Rated power	Resistance	Resistance Tolerance (%)	Temperature Coefficient PPM°C	Dielectric Strength
5W	0.01R-1K	±1%, ±5%	±100PPM, ±250PPM	1000V
10W	0.01R-1.5K	±1%, ±5%	±100PPM, ±250PPM	1000V
25W	0.1R-10K	±1%, ±5%	±100PPM, ±250PPM	1000V
50W	0.1R-15K	±1%, ±5%	±100PPM, ±250PPM	1000V
75W	0.1R-27K	±1%, ±5%	±100PPM, ±250PPM	1500V
100W	0.1R-33K	±1%, ±5%	±100PPM, ±250PPM	1500V
150W	0.1R-47K	±1%, ±5%	±100PPM, ±250PPM	1500V
200W	0.1R-56K	±1%, ±5%	±100PPM, ±250PPM	1500V
300W	0.1R-62K	±1%, ±5%	±100PPM, ±250PPM	1500V
500W	0.1R-68K	±1%, ±5%	±100PPM, ±250PPM	3000V

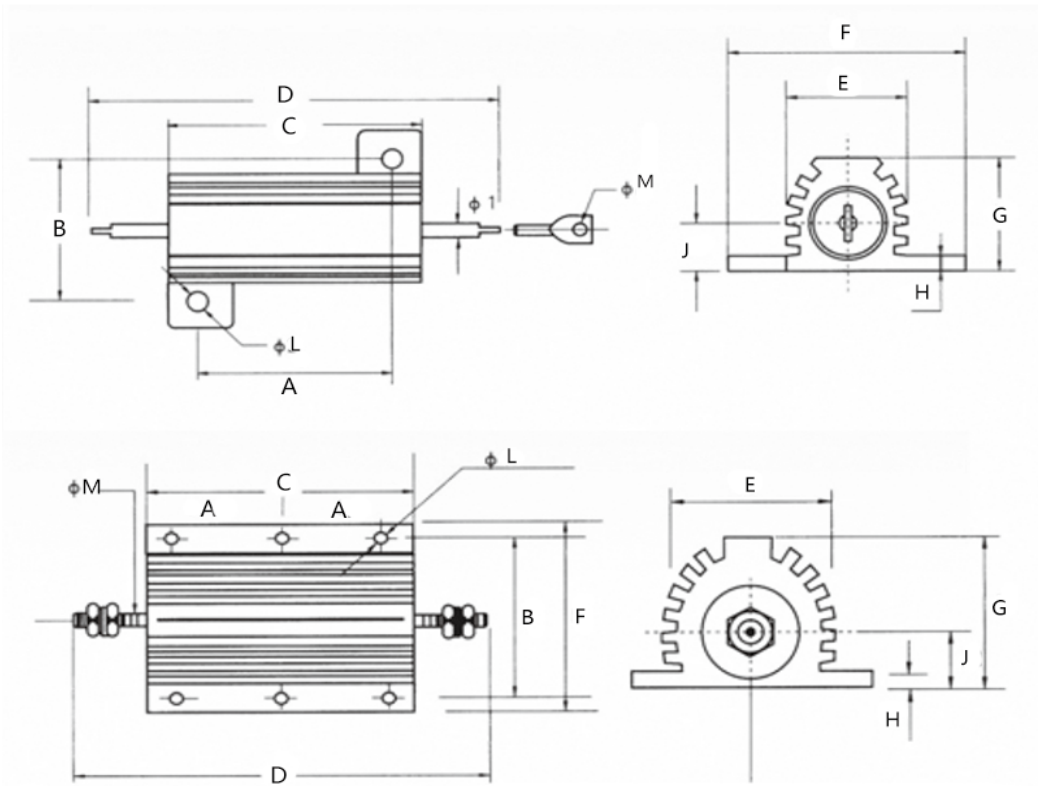
performance index

检验项目 TEST ITEM	试验方法 TEST METHOD	性能要求 PERFORMANCE REQUIREMENT
可焊性 Solderability	235±5°C, 2S Welding method	The solder can flow freely and wet the lead
引出端强度 Terminal tensile strength	40N	$\Delta R \leq \pm(1\%R+0.05\Omega)$
过载 Overload	5P, 5s	$\Delta R \leq \pm(1\%R+0.05\Omega)$
温度变化 resistance with temperature	-55°C - +155°C, 5 times cycles	$\Delta R \leq \pm(1\%R+0.05\Omega)$
耐焊接热 Sold heat	350±10°C, 3.5±5S	$\Delta R \leq \pm(1\%R+0.05\Omega)$
冲击 Shook	Acceleration 490m/s ² , 11ms, 18times	$\Delta R \leq \pm(1\%R+0.05\Omega)$
振动 Vibratious	Frequency 10-50Hz, Acceleration 98/s ² , 6h	$\Delta R \leq \pm(1\%R+0.05\Omega)$
表面升温 Surface temperature Rise	VR	$\leq 275^\circ\text{C}$
恒定温度 Dampheat, steady state	Temperature 40±2°C, Humidity 93%, 21 day	$\Delta R \leq \pm(5\%R+0.05\Omega)$
长期寿命 Load Life	Apply rated power load at room temperature for 1000h	$\Delta R \leq \pm(5\%R+0.05\Omega)$

Power Derating Curve



外型尺寸



型号 TYPE	外形尺寸 DIMENSIONS (mm)										
	A ±1	B ±1	C ±1	D ±1.5	E ±0.5	F ±0.5	G ±0.5	H ±0.5	J ±0.5	L ±0.5	M ±0.5
RXG24-5W	11	12	15.5	36	9.5	16	8	1.5	4.4	2.2	2
RXG24-10W	14	16	19.5	41	10.5	21.5	10	2	5	2.5	2
RXG24-25W	18.5	20	28	49	15	27	15	2	7	3.5	2
RXG24-30W	25	22	34	56	15	29	15.5	2	7.3	3.5	2
RXG24-50W	40	21	50	72	15	29	15.5	2	7.3	3.5	2
RXG24-75W	23.5	37	65.5	97	27	48	26	3	11.5	4.4	M4
RXG24-100W	35	37	98	130	27	48	26	3	11.5	4.4	M4
RXG24-150W	52	37	135	167	27	48	26	3	11.5	4.4	M4
RXG24-200W	35	58	92	136	46	73	45	5	21	5.5	M6
RXG24-250W	45	58	112	152	46	73	45	5	21	5.5	M6
RXG24-300W	51	58	130	175	46	73	45	5	21	5.5	M6
RXG24-500W	87	58	204	250	46	73	45	5	21	5.5	M6